

SHEET REV A
 DWG NO. 25-T-FT

SPECIFICATIONS:

25 WATT COAXIAL TERMINATION

POWER RATING: 25 WATTS MAXIMUM @ 40°C.
 30 WATTS MAXIMUM @ 25°C.

CONNECTOR: TNC-TYPE, FEMALE

FREQUENCY RANGE & VSWR: DC TO 1GHz AT 1.10:1 MAX.
 1GHz TO 4GHz AT 1.25:1 MAX.

IMPEDANCE: 50 OHMS, NOMINAL

AMBIENT TEMPERATURE RANGE: -40°C TO +40°C

OPERATING POSITION: ANY

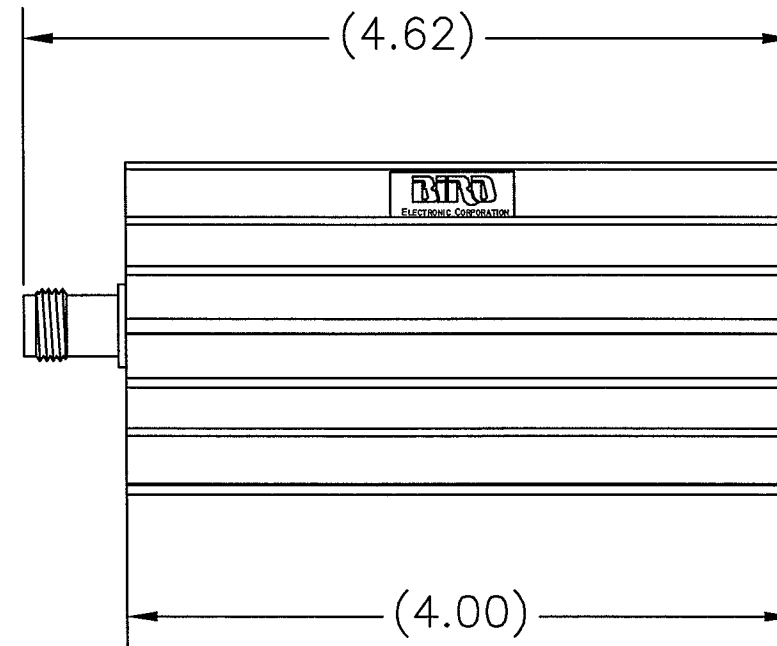
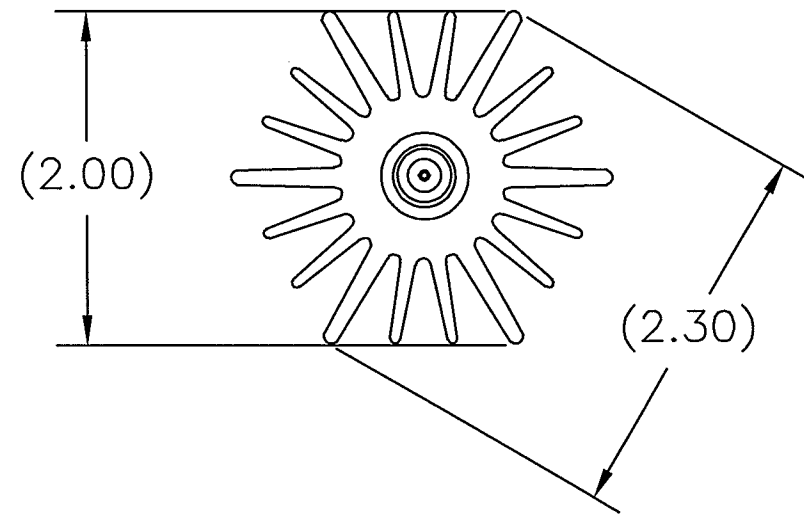
COOLANT: DRY (CONVECTION COOLED)

FINISH: BLACK ANODIZED COOLING FINS, SILVER OR TRI-ALLOY PLATED CONNECTORS

NOMINAL SIZE: 4.62"L X 2.3" DIA. (WITH A TNC-TYPE, FEMALE CONNECTOR)

WEIGHT: APPROX. 7 OZ.

| REVISIONS | | | | |
|-----------|-----|-------------|----------|----------|
| ZONE | REV | DESCRIPTION | DATE | APPROVED |
| | A | ECN #0185 | 12-18-97 | MRY |



UNLESS OTHERWISE SPECIFIED
 DIMENSIONS ARE IN INCHES
 TOLERANCES ARE:
 FRACTIONS DECIMALS ANGLES
 ± 1/84 .XX = ±.010 ± 30'
 .XXX = ±.005

MILLIMETERS
 .X = ±.4
 .XX = ±.12

DO NOT SCALE DRAWING

THIS DRAWING IS THE PROPERTY OF THE BIRD ELECTRONIC CORPORATION. THE DESIGNS AND SPECIFICATIONS DISCLOSED HEREON ARE PROPRIETARY AND SHALL NOT BE REPRODUCED, NOR COPIED, NOR USED AS THE BASIS FOR THE MANUFACTURE OR SALE OF APPARATUS OR DEVICES WITHOUT THEIR EXPRESS WRITTEN CONSENT.



BIRD Electronic Corporation
 Cleveland (Solon) Ohio USA

| | | | | | |
|----------|----------------|---------|---|----------------|------------------|
| MATERIAL | APPROVALS | DATE | TITLE | | |
| | DRAWN D.M.RINK | 5-14-03 | FINAL ASS'Y/TERMINATION TNC-TYPE FEMALE, 25W | | |
| FINISH | CHECKED | | SIZE B | FSCM NO. 70998 | DWG. NO. 25-T-FT |
| | APPROVED MARY | 6-15-03 | SCALE 1:1 | COMM CODE LD1 | SHEET 1 OF 1 |
| | | | AUTOCAD | | |